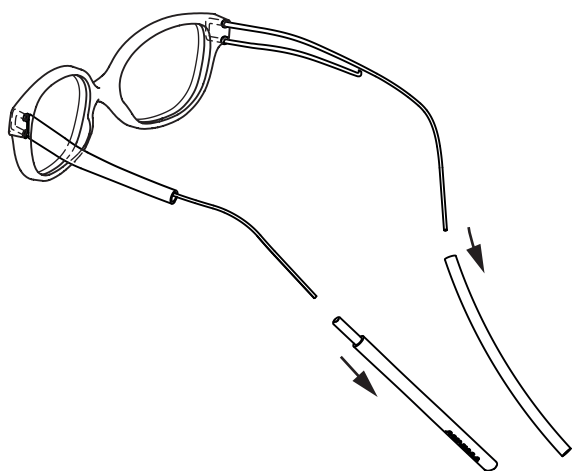
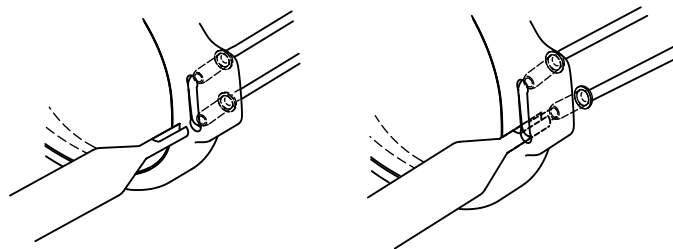


### DISASSEMBLY OF THE TEMPLE

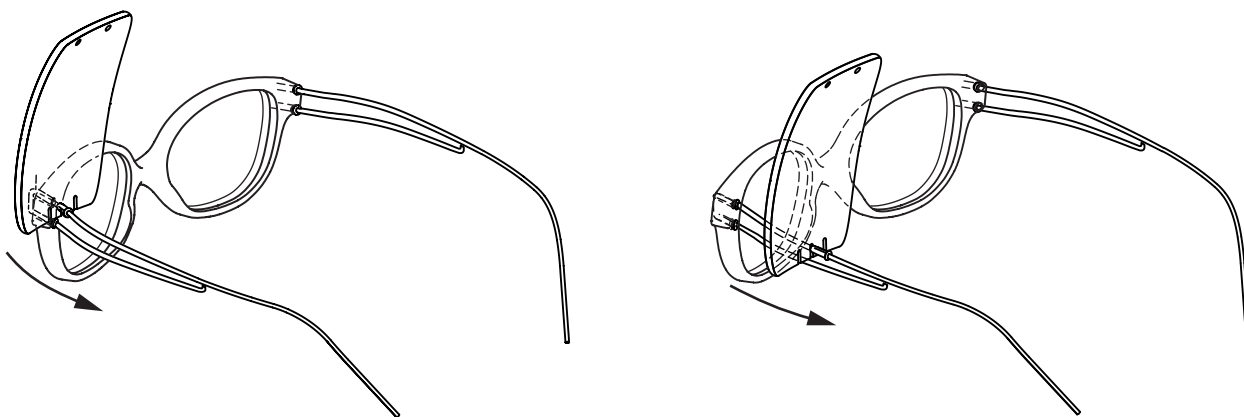
1- Shrink the sleeve directly to remove the wedge, then the end tip and the sleeve.



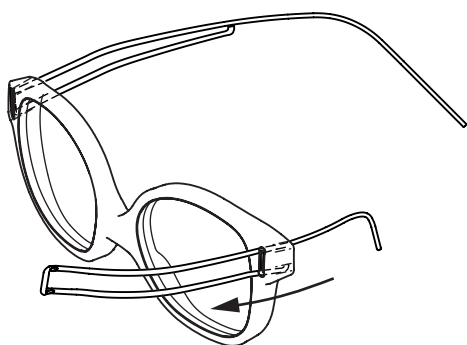
2- Insert the pushing tool into the drilled holes of the front beforehand to remove the plastic tubes.



3- Use the notch on the demo lens to complete the removal of the plastic tubes from the temple.

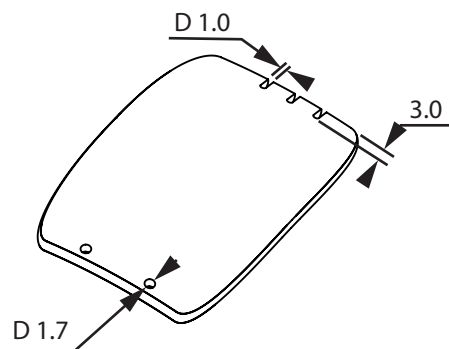


4- Remove the temple from the front.



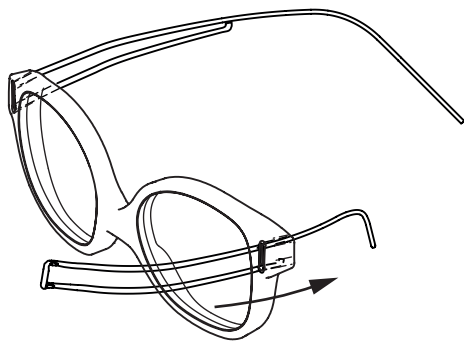
NB Demo lens is a toll to assemble and remove plastic tubes on the temple. How to make the demo lens:

- Notch the lens (diameter 1 mm / depth 3 mm)
- Drill hole of 1,7mm diameter

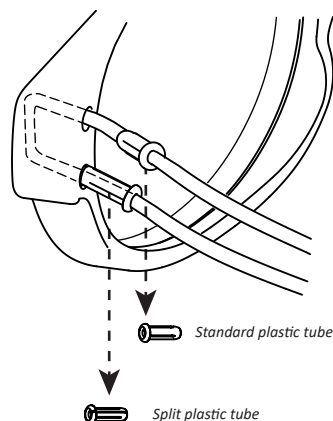


### REASSEMBLY OF THE TEMPLE

1- Insert the temple through the front of the frame.

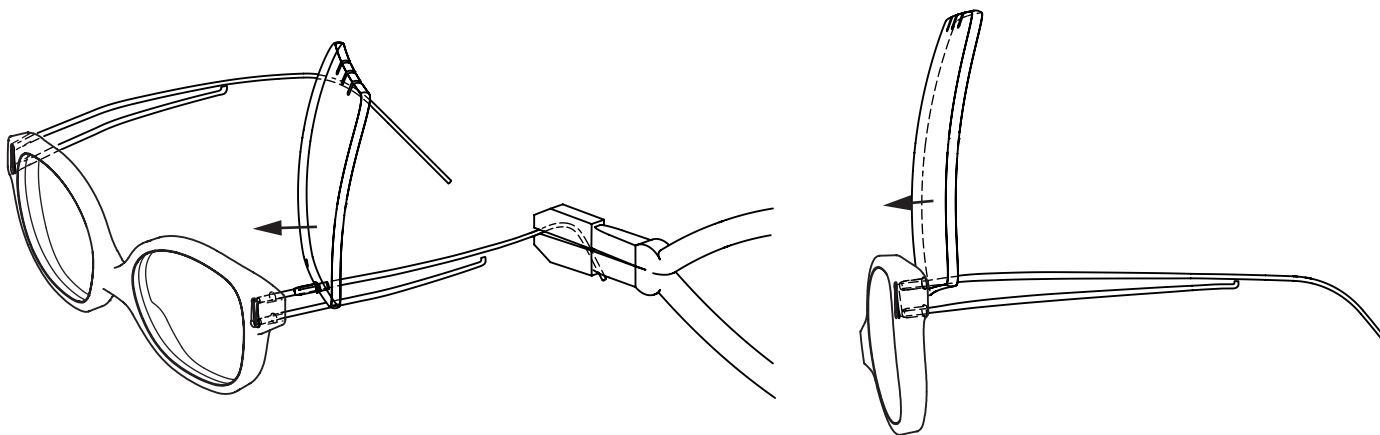


2- Insert a first plastic tube on the upper strand of the temple (with cap at the back), then a second split plastic tube on the short strand.



3- Insert plastic tubes in the frame front.

To do so, use nylon pliers to hold the temple and push each plastic tube thanks to the drilled holes of the demo lens until the plastic tube is fully inserted into the hole of the frame.

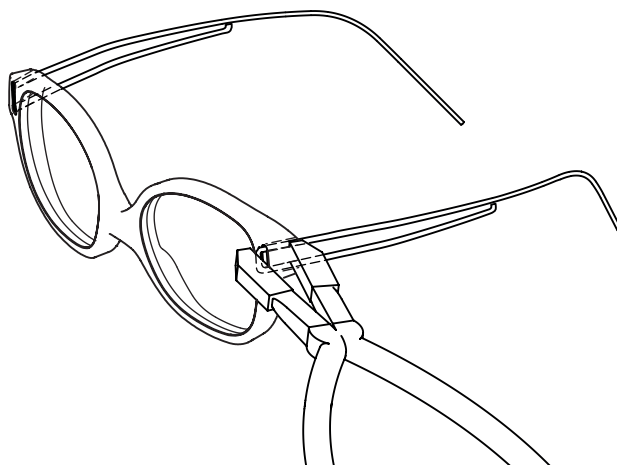


4- Proceed the same way with the second plastic tube.

NB: Ensure that plastic tubes are not crushed.

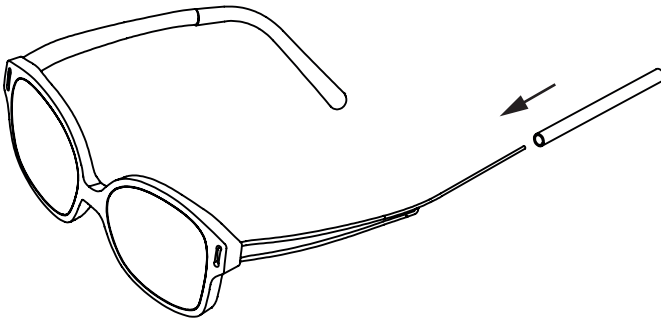
The plastic tubes cap should be touching the back of the frame.

5- Use the nylon pliers to ensure that the temple is fully inserted on the front of the frame. (The temple wire should be touching the front of the frame).

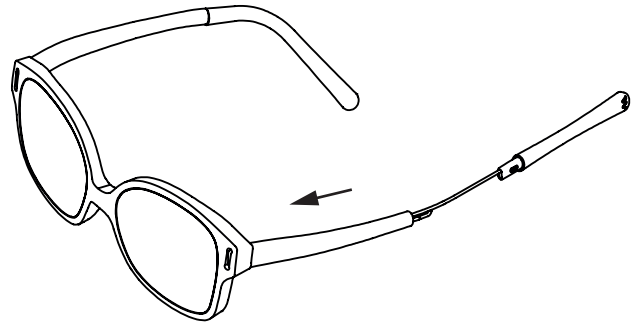


### REASSEMBLY OF THE TEMPLE (Continued)

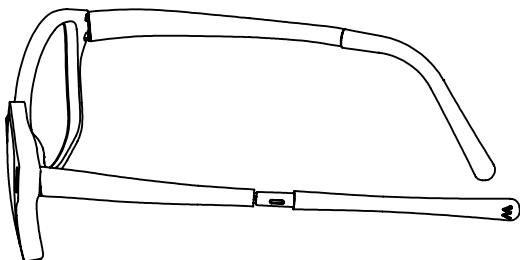
1- Cross the 2 strands of the temple (upper strand inwards), then thread the sleeve up to the plastic tubes. Then uncross the 2 strands in opposite directions.



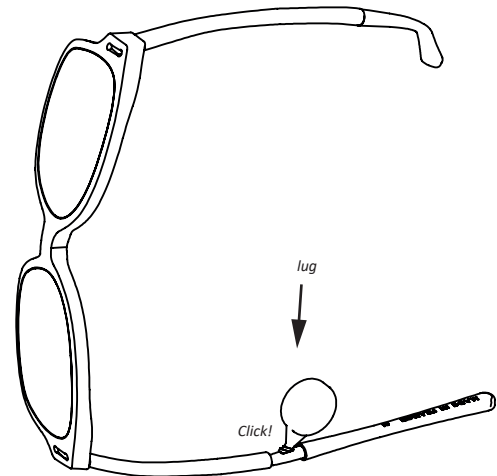
2- Gently shrink the sleeve to reveal the hook of the shortest strand.



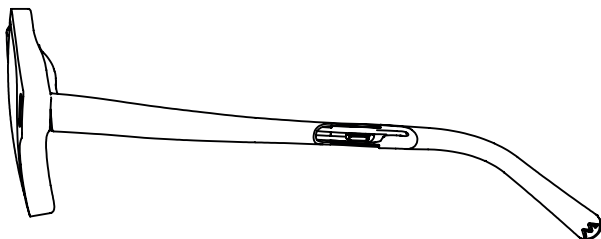
3- While holding the sleeve, put on the end tip. The hook of the short strand must be placed at the bottom of the window of the end tip.



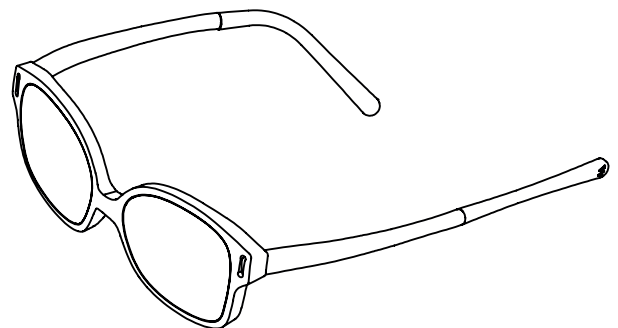
4- Insert the lug of the wedge into the window of the end tip. A "click" will confirm that it is properly inserted.



5- Move the wedge up and down to release the small lug in the window of the end tip.



6- Put the sleeve back over the end tip. Your frame is ready.



7- You can now adjust your frame, opening and fitting of the temples.