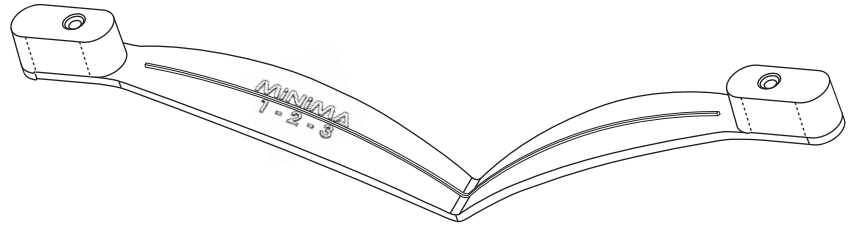
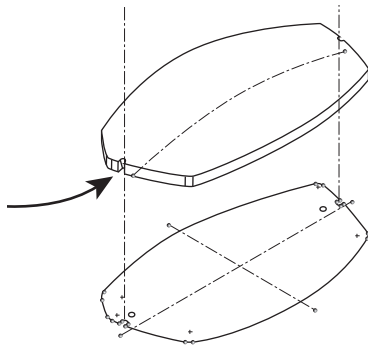


### DRILLING PROCEDURE (BRIDGES OR TEMPLES)

The Drilling Guide allows precision drilling of lens holes in relation to lens notches, all in a few seconds.

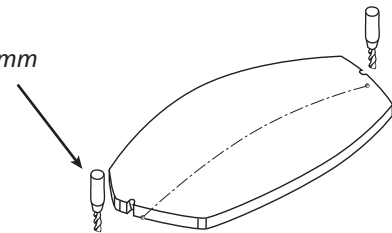


#### LOCATION OF NOTCHES:



#### NOTCHING:

Router:  $\varnothing 1.1\text{mm}$

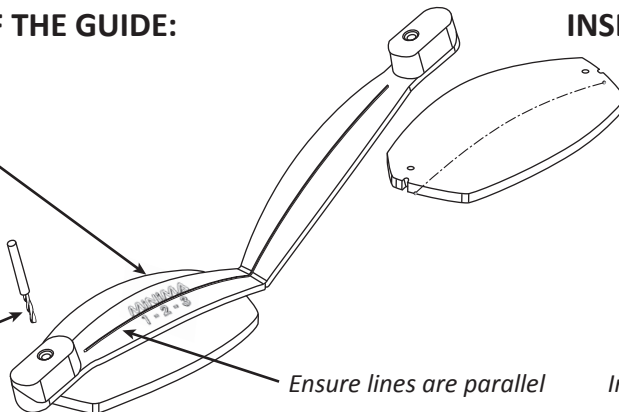


#### POSITIONING OF THE GUIDE:

Name facing upwards

Place the adhesive between lens and guide.

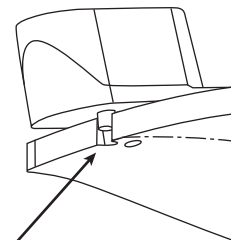
Drilling:  $\varnothing 1.2\text{mm}$



Ensure lines are parallel

#### INSERTING IT IN THE NOTCH:

Insert pin in notch



#### DRILLINGS:

1

2

3

4

5

