

# MINIMA JUNIOR HYBRID REMOVAL & REASSEMBLY

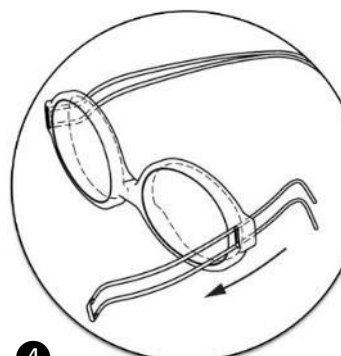
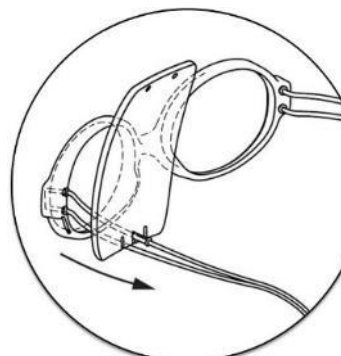
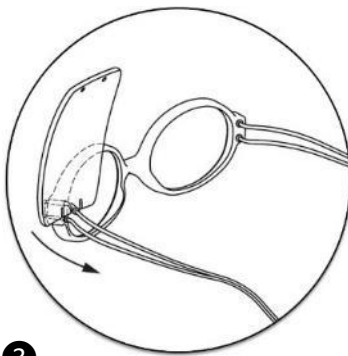
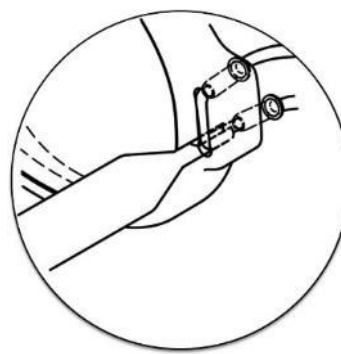
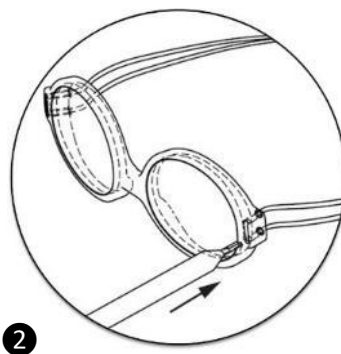
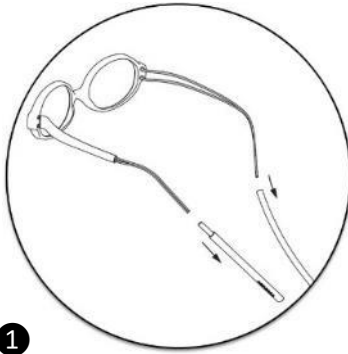


## REMOVING THE TEMPLE

- 1 Remove the end tip, then the sleeve.
- 2 Insert the pin pusher tool into the drilled holes of the frame beforehand so as to extract the staple sockets.
- 3 Use the notches on the demo lens to complete the extraction of the staple sockets from the temple.
- 4 Remove the temple from the frame.



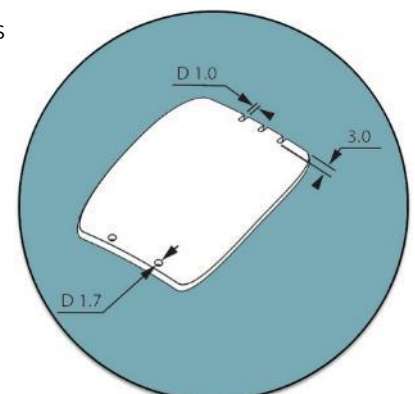
- a pin pusher tool
- demo lenses



The demo lens aids the assembly and removal of the staple sockets on the temple:

How to make the demo lens:

- Notch the lens  $\varnothing$  1 mm / 3 mm deep
- Drill  $\varnothing$  1.7 mm

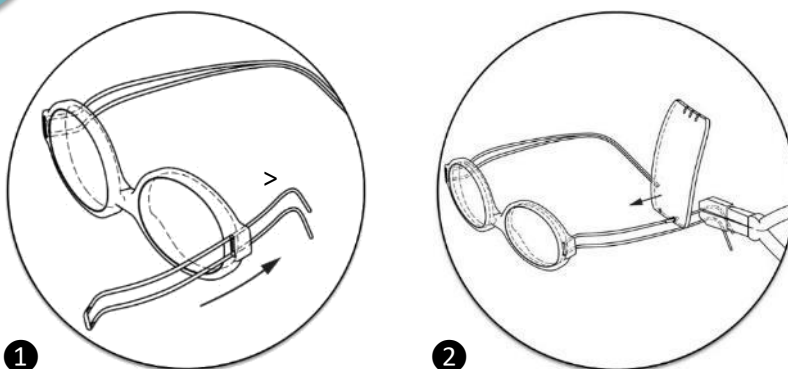


# MINIMA JUNIOR HYBRID REMOVAL & REASSEMBLY



## REASSEMBLY OF THE TEMPLE

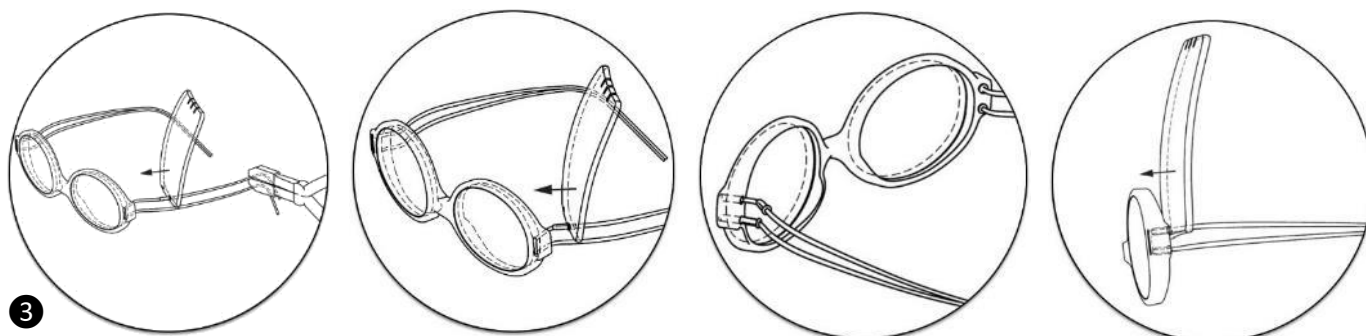
- 1 Insert the temple through the front of the frame.
- 2 Insert the first staple socket on the strand of the temple (thread one staple socket on the strand of the temple (ensure the staple socket is the right way round: with cap at the back))



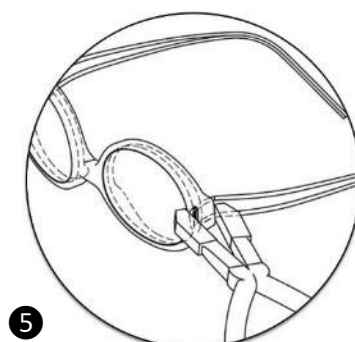
- 4 lugs
- nylon pliers
- a demo lens

- 3 Use nylon pliers to hold the temple and push the staple socket through the drilled holes of the demo lens until the staple socket is fully inserted into the hole.

Ensure that the staple sockets are not crushed. The staple sockets cap should be touching the back of the frame.



- 4 Repeat the operation on the other side.
- 5 Use the nylon pliers to ensure that the temple is fully inserted in the front of the frame. (The temple wire should be touching the front of the frame).



# MINIMA JUNIOR HYBRID REMOVAL & REASSEMBLY

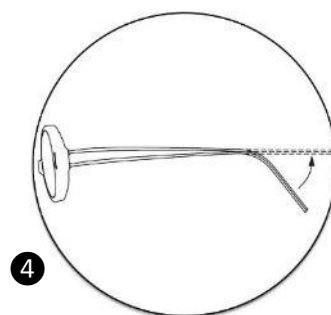
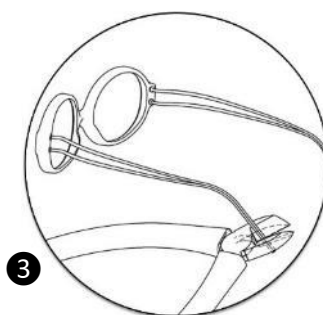
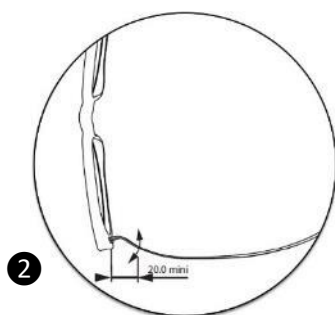
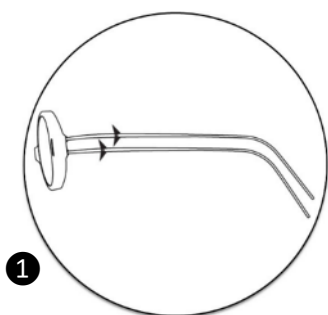


## ADJUSTING OF THE FRAME

- 1 Adjust the angle of the temples, working strand by strand, from top to bottom. Both strands should come together to create the end of the temple.
- 2 Adjust the opening of the temples by manually pressing on both strands. In order not to weaken the temple, we recommend exerting pressure 2 cm from the frame.
- 3 Adjust the length of the temples using cutting pliers: cut each strand to equal length.
- 4 Straighten the two strands manually.



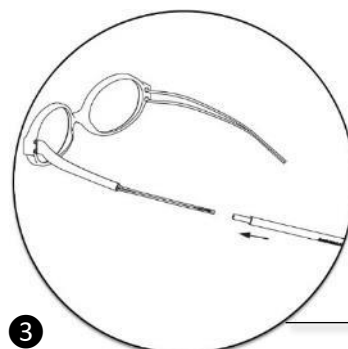
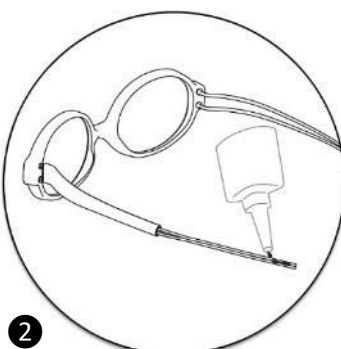
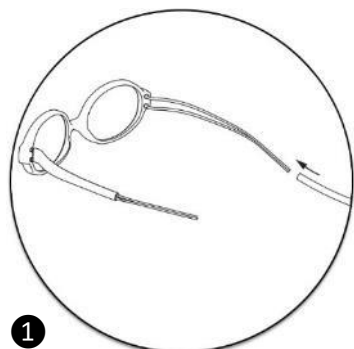
• cutting pliers



## ASSEMBLING OF THE SHEATH & END TIP

- 1 Thread the sheath over the staple sockets manually.
- 2 Put a spot of cyanoacrylate glue on the end of both temple runners.
- 3 Then insert the end tip all the way.

NB: Once the sheath and the end tip are assembled, there should be no gap between the two. The end tip will be secured in place once it has been left to dry for 24 hours.



• glue cyanoacrylate

# MINIMA JUNIOR HYBRID REMOVAL & REASSEMBLY



## TEMPLE BENDING

Using your hands to firmly hold the two ends of the end tip, bend it by pressing the edge of the end tip.

This will enable you to obtain the desired bend and curvature.

Failing that, straighten out the two runners and start again.

